

5 GALLON SQUARE

HDPE OR POLYETHYLENE

Gauge: 70 mil

METAL OR PLASTIC HANDLE

Nominal Capacity 5.0 USG

Maximum Capacity 5.1 USG

BUILT IN HANDLES

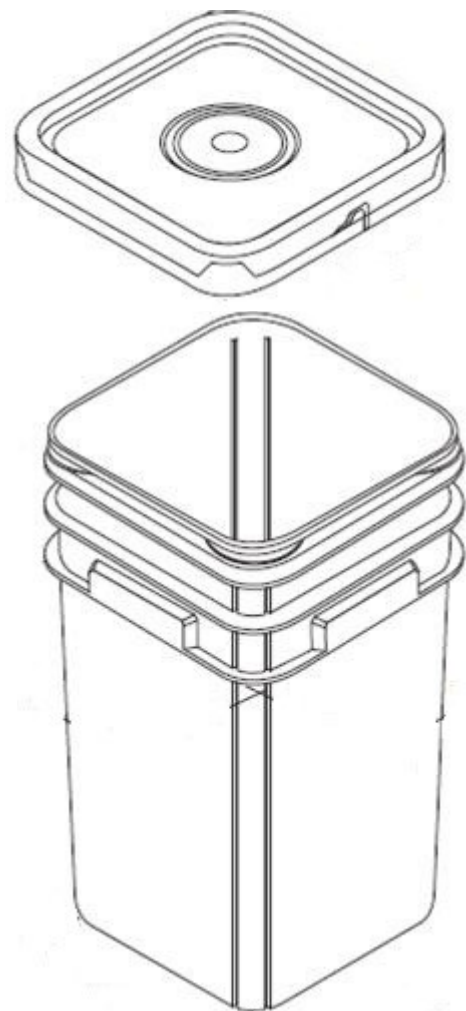
Height 16.81

Diameter 9.93 X 9.93

180 PER PALLET

LIDS:

- Gasket Less Tear-Tab
- Flow in Gasket Tear-Tab



Grand Traverse Packaging (847) 259-1600